

buxton-built

# GLASSWARE WASHERS

*Since 1987, Buxton has manufactured Washers to the high-performance and standards expected by healthcare, animal care, laboratories, and bio-pharmaceutical clients.*



**Glassware  
Washer**

## **Buxton Washers Feature:**

- *Choice of Allen-Bradley Microprocessor or Electro-Mechanical Control Systems*
- *Standard "Off-the-Shelf" Components*
- *Manufactured with Non-Proprietary Parts for Rapid and Cost-Effective Repairs*
- *All Stainless Steel Construction, and Sanitary Piping with Silicone Gaskets and Clamps for Ease of Service and Leak Free Operation*
- *Automatic Drain Feature which Cleans the Drain Strainer During Every Power Drain Cycle*
- *Only Six Moving Parts for Long Term, Trouble Free Performance*
- *Proven Inherent Quality that will Provide Years of Trouble-Free Operation*
- *Unlimited Tap and Mineral Free Water Rinses*
- *Built-In Drying and cGMP Compliance Available*



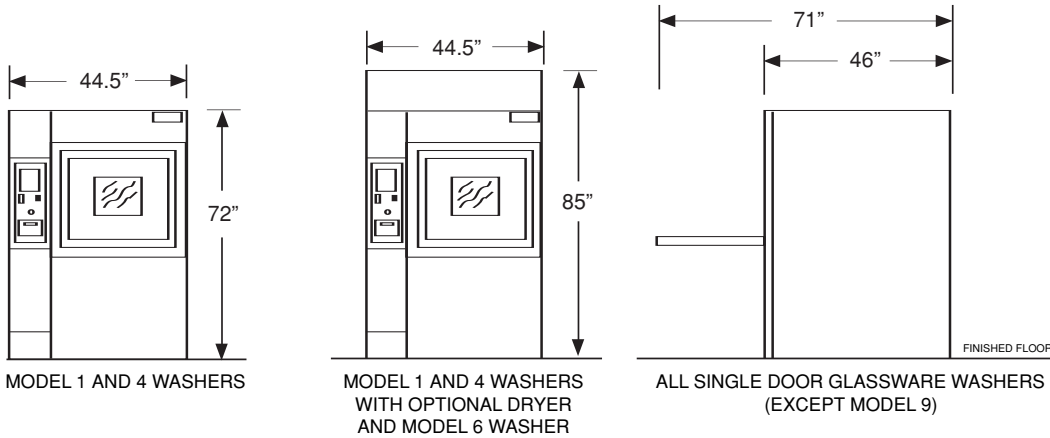
1178 Route 109 • Lindenhurst, NY 11757  
Phone: 631-957-4500 • Fax: 631-957-3884  
[www.buxtonmed.com](http://www.buxtonmed.com)



	Chamber Size	Usable Capacity	Pump Size	Unlimited Rinses	Optional Drying	Optional Multi Level
<b>MODEL 1</b>	21" H x 28" W x 28" D	9.5 Cu. Ft.	7.5 HP	YES	YES	YES
<b>MODEL 4</b>	21" H x 28" W x 28" D	9.5 Cu. Ft.	2.0 HP	YES	YES	NO
<b>MODEL 6*</b>	28" H x 28" W x 28" D	12.7 Cu. Ft.	7.5 HP	YES	YES	YES
<b>MODEL 9</b>	44" H x 32" W x 44" D	35.8 Cu. Ft.	7.5 HP	YES	YES	YES
<b>MODEL 5</b> (Stand Alone Dryer)	21" H x 28" W x 28" D	9.5 Cu. Ft.	N/A	N/A	YES	YES

Available with Single Door, Double Door, Left/Right Service, and cGMP (Custom Models Available)  
Detailed Installation Drawings are Available Upon Request (Dimensions are Typical Only)

\*Normally Used for Surgical Instruments and Utensils



## Washer Available Options...

- Heated Tanks
- Hot Water Heat Exchangers
- Automatic Detergent Dispensers
- Hot Water Booster (Electric)
- Dryer (Model 5)
- Transfer Tables
- Standard or Customized Glassware Holders