

buxton-built

SMALL STERILIZERS

Since 1980, Buxton has manufactured Sterilizers to the high-performance and standards expected by healthcare, animal care, laboratories, and bio-pharmaceutical clients.



**Small Sterilizer
Model 8200 with
Microprocessor**

Buxton Sterilizers Feature:

- *Choice of Allen-Bradley Microprocessor or Electro-Mechanical Control Systems*
- *Standard "Off-the-Shelf" Components*
- *Manufactured with Non-Proprietary Parts for Rapid and Cost-Effective Repairs*
- *Rigid Brass Piping with Threaded Connections and Unions for Ease of Service and Leak Free Operation*
- *Exclusive Automatic Chamber Exhaust Feature allows for Unloading of Sterilizer in the Case of Power Failure or at the Operators Discretion*
- *Proven Inherent Quality that will Provide Years of Trouble-Free Operation*
- *FDA Registered Firm*
- *cGMP Compliance Available*

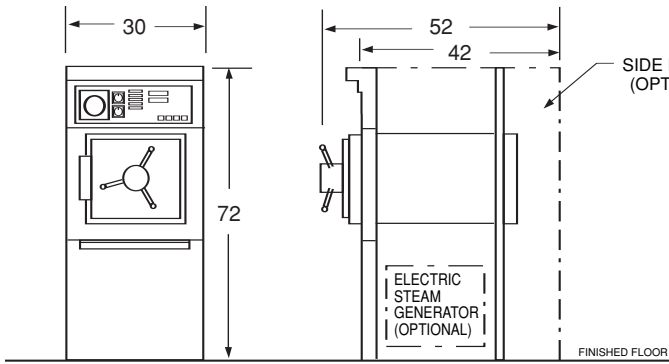
buxton
buxton
medical
equipment
corporation

1178 Route 109 • Lindenhurst, NY 11757
Phone: 631-957-4500 • Fax: 631-957-3884
www.buxtonmed.com

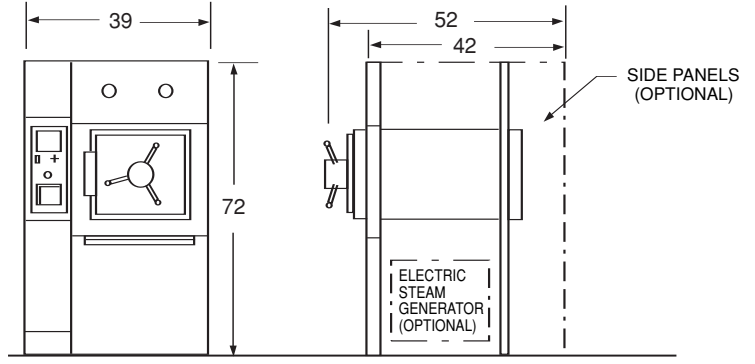


Chamber Size	Capacity	Model Numbers (Models Beginning with '8' are Remanufactured)			
		General Purpose		High Vacuum	
16" x 16" x 26" 41cm x 41cm x 66cm	3.9 Cu. Ft.	8100	9100	8102	9102
20" x 20" x 38" 51cm x 51cm x 97cm	8.8 Cu. Ft.	8200	9200	8202	9202

Available with Single Door, Double Door, Left/Right Service, and cGMP (Custom Models Available)



SMALL STERILIZER WITH ELECTRO-MECHANICAL CONTROLS



SMALL STERILIZER WITH MICROPROCESSOR CONTROLS



Microprocessor Control:

- Menu driven up to ten (10) standard cycles with individual cycle names and programs
- Modular design for ease of service
- Allen-Bradley SLC 500 microprocessor with strip chart printer
- Temperature control and documentation is assured with the use of 100 Ohm RTD's
- 24 Volt AC reduces operator exposure to high electrical current
- A proven, dependable system for years of trouble free operation. A real "work-horse" with minimal downtime
- RS232 Port for downloading of cycle information
- Full remote control for systems with double doors
- cGMP cycles with sanitary piping available



Electro-Mechanical Control:

- Single selector buttons with illuminated cycle indicators promote simple, error free operation
- Modular design for ease of service
- Cycle sequence shall be easily monitored through the use of dependable indicator lights displaying each phase of cycle
- Temperature control and documentation is assured with the use of an inkless recorder controller
- 24 Volt AC reduces operator exposure to high electrical current
- A proven, dependable system for years of trouble free operation. A real "work-horse" with minimal downtime

