

buxton-built

TUNNEL WASHERS

Since 1987, Buxton has manufactured Washers to the high-performance and standards expected by healthcare, animal care, laboratories, and bio-pharmaceutical clients.



Tunnel Washer
Model 7

Buxton Tunnel Washers Feature:

- *Choice of Allen-Bradley Microprocessor or Electro-Mechanical Control Systems*
- *Standard "Off-the-Shelf" Components*
- *Manufactured with Non-Proprietary Parts for Rapid and Cost-Effective Repairs*
- *All Stainless Steel Construction, and Sanitary Piping with Silicone Gaskets and Clamps for Ease of Service and Leak Free Operation*
- *Automatic Drain Feature which Cleans the Drain Strainer During Every Power Drain Cycle*
- *Manufactured in Sections to Fit Through a Standard 36" Wide Door Opening*
- *Proven Inherent Quality that will Provide Years of Trouble-Free Operation*
- *Adjustable Belt Speeds from 2-5 Feet Per Minute*
- *Built-In Drying and Unique Cage Flipper Available*

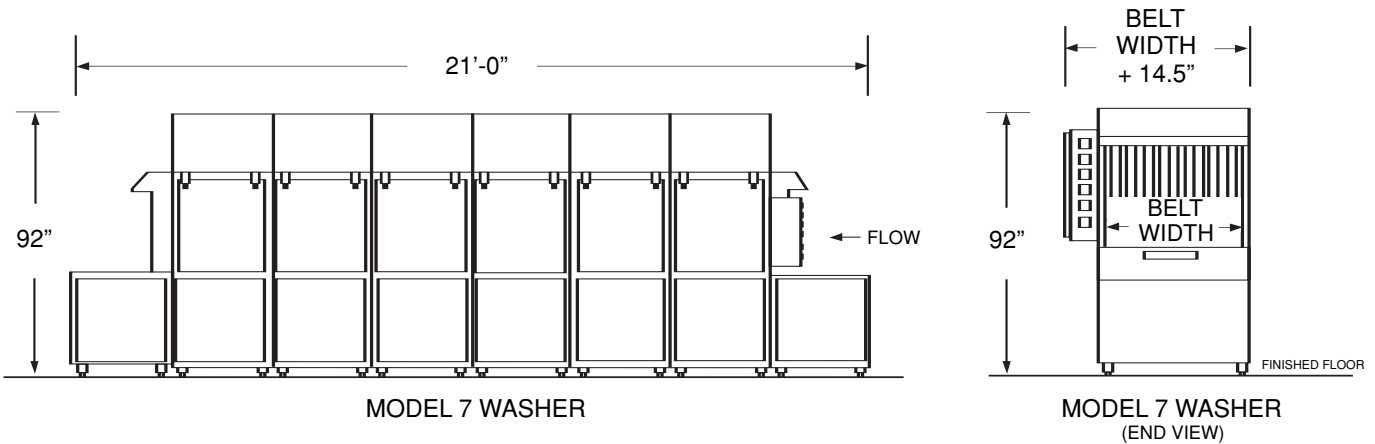
buxton
buxton
medical
equipment
corporation

1178 Route 109 • Lindenhurst, NY 11757
Phone: 631-957-4500 • Fax: 631-957-3884
www.buxtonmed.com



	Chamber Size	Belt Width	Pump Size (2)	Adjustable Belt Speed	Optional Drying	Optional Add'l Length
MODEL 7-24	26" H x 32" W x 21-0" L	24"W.	7.5 HP	YES	YES	YES
MODEL 7-30	26" H x 38" W x 21-0" L	30"W.	7.5 HP	YES	YES	YES
MODEL 7-36	26" H x 44" W x 21-0" L	36"W.	7.5 HP	YES	YES	YES
MODEL 7-42	26" H x 50" W x 21-0" L	42"W.	7.5 HP	YES	YES	YES
MODEL 7-48	26" H x 56" W x 21-0" L	48"W.	7.5 HP	YES	YES	YES

Available with additional lengths in 36" increments for Pre-Wash, Wash, Rinse or Drying (Any length configuration available)
 Detailed installation drawings are available upon request (Dimensions are typical only)



Additional Standard Features...

- Automatic 180°F Temperature Guarantee
- High Pressure Rotary Spray for Complete Coverage
- High Pressure "Air Knife" Blower for Improved Drying
- All Stainless Steel "No Sag" Link Belt and Sprockets
- Hot Water Conservation System
- Chamber Access Doors with Safety Switches



**buxton
 medical
 equipment
 corporation**

1178 Route 109 • Lindenhurst • NY 11757
 631-957-4500 • Fax 631-957-3884
 e-mail: sales@buxtonmed.com
 www.buxtonmed.com